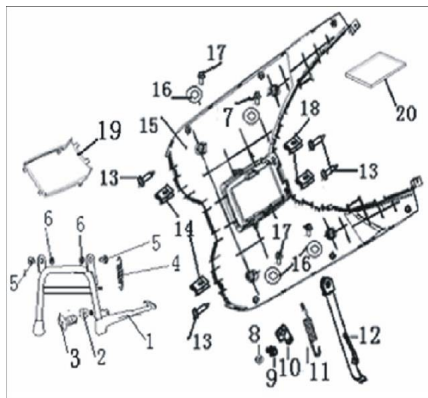


APOYA PIE



Rating: Not Rated Yet

Price:

Variant price modifier:

Base price with tax:

Price with discount:

Salesprice with discount:

Sales price:

Sales price without tax:

Discount:

Tax amount:

[Ask a question about this product](#)

Description

	Ref.	Título	Código
1		C. CABALLETE	36-58520J4H
2		AMORTIGUADOR	36-58507G5F
3		TORNILLO	36-08018J5B
4		RESORTE REBATIMIENTO CABALLETE	36-58510BM0
5		TORNILLO M6 X 33	36-B0109100-2
6		BUJE	36-58509JA0
7		TPRNILLO M6 X 33	36-B0102060-1
8		TUERCA M8	36-B0407080
9		TORNILLO	36-57005BMB
10		ALOJAMIENTO RESORTE	36-57006BM0
11		RESORTE SOSTEN LATERAL	36-57010BM0
12		C. SOSTEN LATERAL	36-58700J4F
13		TORNILLO SUJECION	36-B0507480-2
14		RESORTE TUERCA	36-65802BMA-1
15		CONJUNTO PISO	36-65401BMM

ESTRUCTURA : APOYA PIE

	Ref.	Titulo	Código
16		ARANDELA	36-B0702000-3
17		TORNILLO M6 X 45	36-B0100060
18		RESORTE TUERCA M5	36-65802BM0
19		CUBRE BATERIA	36-65813BMM
20		TAPA BATERIA	36-65811BMB