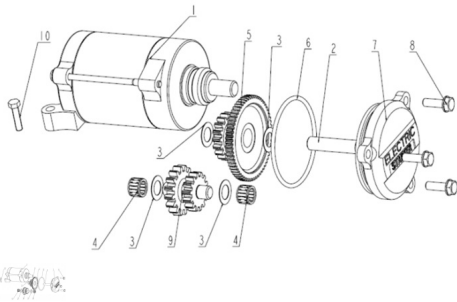


ARRANQUE ELECTRICO



Rating: Not Rated Yet

Price:

Variant price modifier:

Base price with tax:

Price with discount:

Salesprice with discount:

Sales price:

Sales price without tax:

Discount:

Tax amount:

[Ask a question about this product](#)

Description	Ref.	Título	Código
	1	TORNILLO M6x40	
	2	TORNILLO M6X50	
	3	TORNILLO M6 x 30	
	4	CUBRE PIÑON	
	5	JUNTA	
	6	GUIA	

Ref.	Título	Código
7	O RING13. 8X2.5	
8	TAPÓN	
9	JUNTA DE MAGNETO	
10	TAPA LADO MAGNETO	