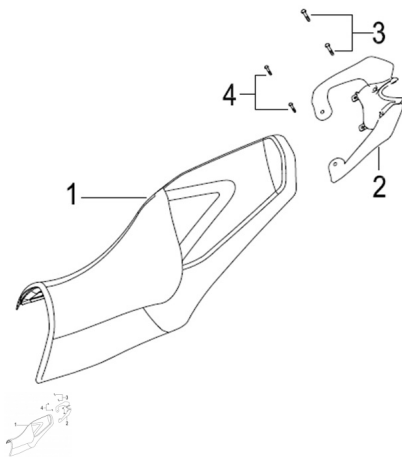


## ASIENTO



Rating: Not Rated Yet

**Price:**

Variant price modifier:

Base price with tax:

Price with discount:

Salesprice with discount:

Sales price:

Sales price without tax:

Discount:

Tax amount:

[Ask a question about this product](#)

Description	Ref.	Título	Código
	1	ASIENTO KEEWAY	
	2		
	3	TORNILLO II	
	4	TORNILLO I	

