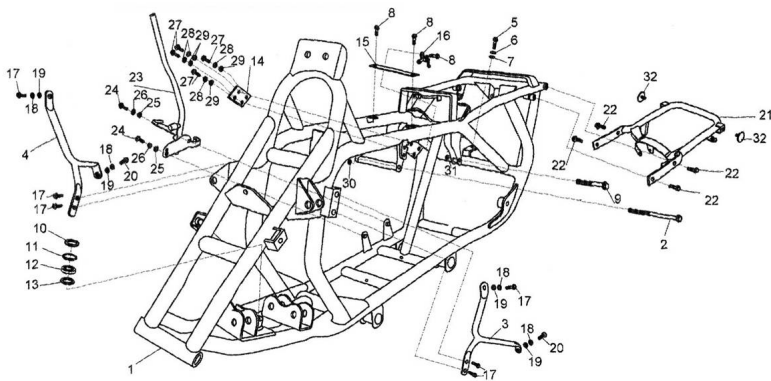


C. CUADRO



Rating: Not Rated Yet

Price:

Variant price modifier:

Base price with tax:

Price with discount:

Salesprice with discount:

Sales price:

Sales price without tax:

Discount:

Tax amount:

[Ask a question about this product](#)

Description	Ref.	Título	Código
	1	CUADRO	16-240001
	3	SOPORTE	16-240003
	4	SOPORTE DERECHO, CUADRO	16-240004
	21	SOPORTE CUADRO TRASERO	16-240021