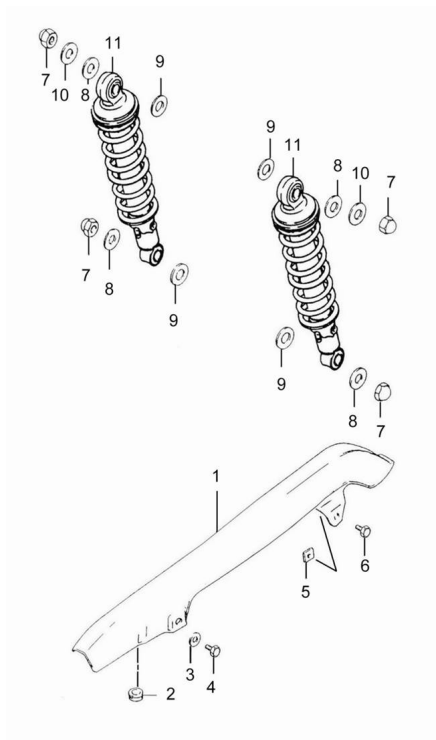


## CONJUNTO AMORTIGUADORES TRASEROS



Rating: Not Rated Yet

**Price:**

Variant price modifier:

Base price with tax:

Price with discount:

Salesprice with discount:

Sales price:

Sales price without tax:

Discount:

Tax amount:

[Ask a question about this product](#)

| Description | Ref. | Título       | Código |
|-------------|------|--------------|--------|
|             | 1    | CUBRE CADENA |        |

**ESTRUCTURA : CONJUNTO AMORTIGUADORES TRASEROS**

---

| Ref. | Título | Código                        |  |
|------|--------|-------------------------------|--|
|      | 2      |                               |  |
|      | 3      |                               |  |
|      | 4      | TORNILLO<br>SUJECION          |  |
|      | 5      | TUERCA<br>SUJECION            |  |
|      | 6      | TORNILLO<br>SUJECION          |  |
|      | 7      | TUERCA<br>SUJECION<br>PEDALIN |  |
|      | 8      |                               |  |
|      | 9      |                               |  |
|      | 10     |                               |  |
|      | 11     |                               |  |