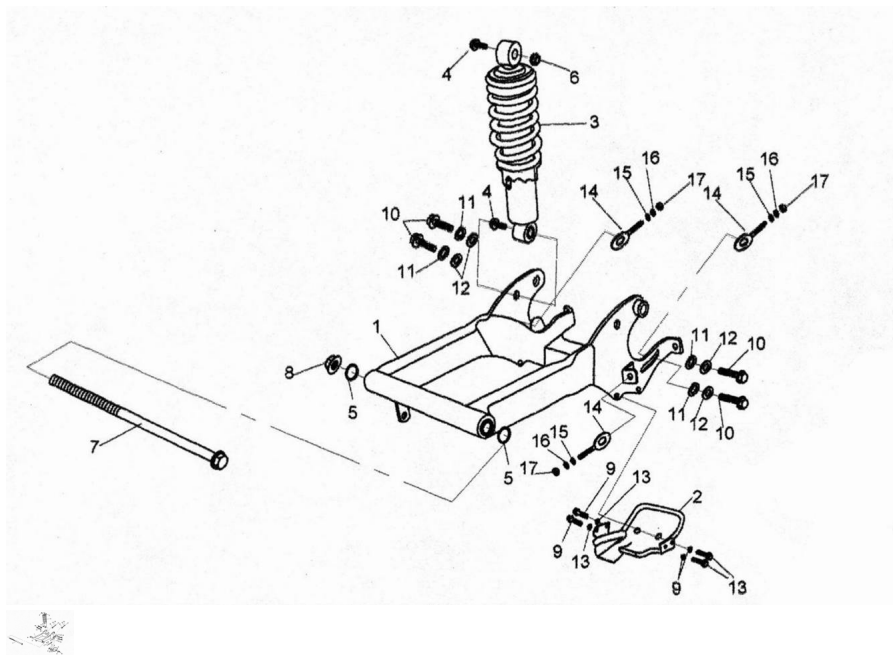


CONJUNTO BALANCIN Y AMORTIGUADOR TRASERO



Rating: Not Rated Yet

Price:

Variant price modifier:

Base price with tax:

Price with discount:

Salesprice with discount:

Sales price:

Sales price without tax:

Discount:

Tax amount:

[Ask a question about this product](#)

| Description | Ref. | Título | Código |
|-------------|------|----------------|-----------|
| | 1 | C. BALANCÍN | 16-232001 |
| | 2 | | 16-232002 |
| | 3 | | 16-232003 |

ESTRUCTURA : CONJUNTO BALANCIN Y AMORTIGUADOR TRASERO

| Ref. | Título | Código | |
|------|--------------------------------|--------|-----------|
| 4 | TORNILLO M10 X 1,25 X 40 | | 16-232004 |
| 5 | ANILLO O-RING | | 16-232005 |
| 6 | TUERCA M10 X 1,25 | | 16-232006 |
| 7 | EJE BALANCÍN | | 16-232007 |
| 8 | TUERCA M14 | | 16-232008 |
| 9 | TORNILLO M8 X 12 | | 16-232009 |
| 10 | TORNILLO M12 X 1,25 X 35 | | 16-232010 |
| 11 | | | 16-232011 |
| 12 | | | 16-232012 |
| 13 | | | 16-232013 |
| 14 | TENSOR CADENA | | 16-232014 |
| 15 | | | 16-232015 |
| 16 | | | 16-232016 |
| 17 | TUERCA M8 | | 16-232017 |