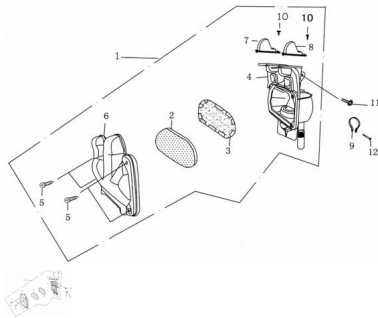


CONJUNTO CAJA FILTRO DE AIRE



Rating: Not Rated Yet

Price:

Variant price modifier:

Base price with tax:

Price with discount:

Salesprice with discount:

Sales price:

Sales price without tax:

Discount:

Tax amount:

[Ask a question about this product](#)

Description

	Ref.	Título		Código
1		CAJA FILTRO DE AIRE		25-17200-FYH-20
2		ELEMENTO FILTRANTE		25-17211-FYH-20
3		MALLA METALICA		25-17213-FYH-20
4		CUERPO CAJA FILTRO DE AIRE		25-17201-FYH-20
5		TORNILLO ST4,8 X 16		25-GB845-85-480
6		TAPA CAJA FILTRO DE AIRE		25-17203-FYH-20
7		BOQUILLA ENTRADA DE AIRE		25-17206-FYG10C
8		BOQUILLA ENTRADA DE AIRE		25-17206-FYG10C
9		ABRAZADERA		25-17205-FYH-20
10		TORNILLO M4,2 X 12		25-GB845-85-422
11		TORNILLO M6 X 16		25-GB5789-86-08
12		TORNILLO		25-GB823-88-050

