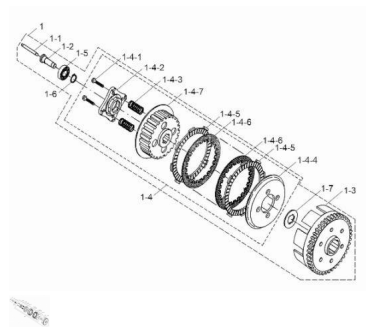


CONJUNTO EMBRAGUE



Rating: Not Rated Yet

Price:

Variant price modifier:

Base price with tax:

Price with discount:

Salesprice with discount:

Sales price:

Sales price without tax:

Discount:

Tax amount:

[Ask a question about this product](#)

| Description | Ref. | Título | Código |
|-------------|-------|-------------------------------|--------|
| | 1-1 | VARILLA E MBRAGUE | |
| | 1-2 | PERNO | |
| | 1-3 | DISCO IMPULSOR PRIMARIO | |
| | 1-4 | C. DISCO IMPULSOR | |
| | 1-4-1 | TORNILLO | |

MOTOR : CONJUNTO EMBRAGUE

| Ref. | Título | Código | |
|------|--------|--------------------------------|--|
| | 1-4-2 | TAPA FINAL EMB RAGUE | |
| | 1-4-3 | RESORTE | |
| | 1-4-4 | PLATO DE EMPUJE | |
| | 1-4-5 | PLACA EM BRAGUE C | |
| | 1-4-6 | PLACA EM BRAGUE C | |
| | 1-4-7 | ASIENTO DISCO CO NDUCTOR | |
| | 1-5 | | |
| | 1-6 | CHAVETA | |
| | 1-7 | | |
| | 1 | | |