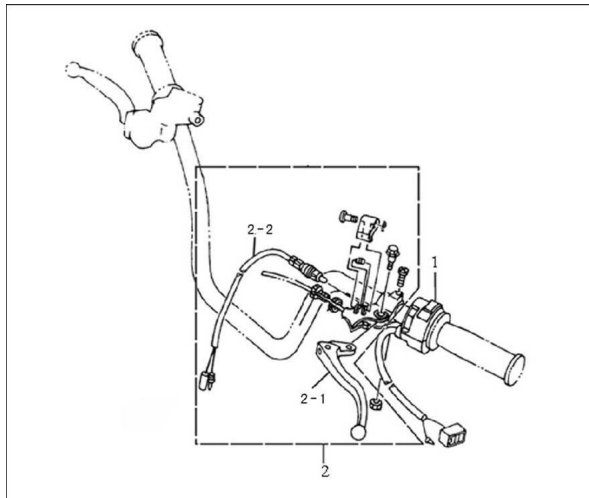


CONJUNTO MANILLAR



Rating: Not Rated Yet

Price:

Variant price modifier:

Base price with tax:

Price with discount:

Salesprice with discount:

Sales price:

Sales price without tax:

Discount:

Tax amount:

[Ask a question about this product](#)

Description	Ref.	Título	Código
	2-1	PALANCA DERECHA	1-324216
	2-2	SWITCH TESTIGO FRENO DE LANTERO	1-324217
	1	C. MANILLAR	1-324200
	2	PALANCA	1-603000

