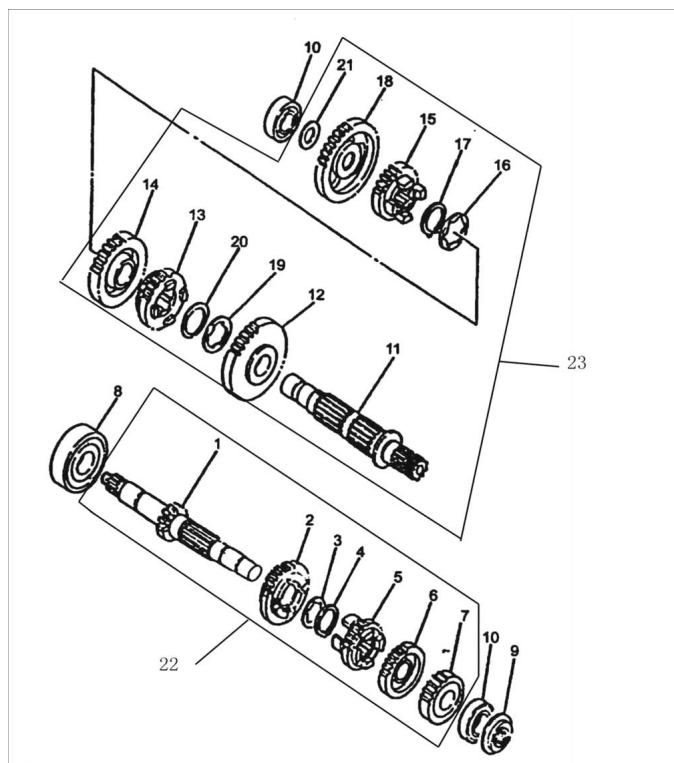


CONJUNTO TRANSMISION



Rating: Not Rated Yet

Price:

Variant price modifier:

Base price with tax:

Price with discount:

Salesprice with discount:

Sales price:

Sales price without tax:

Discount:

Tax amount:

[Ask a question about this product](#)

| Description | Ref. | Título | Código |
|-------------|------|------------|--------|
| | 1 | UNIDAD EJE | |

| Ref. | Título | Código | |
|------|--------|---------------------|--|
| | 2 | | |
| | 3 | | |
| | 4 | CHAVETA | |
| | 5 | | |
| | 6 | | |
| | 7 | | |
| | 8 | | |
| | 9 | RETEN | |
| | 10 | | |
| | 11 | UNIDAD EJE DE CO | |
| | 12 | | |
| | 13 | | |
| | 14 | | |
| | 15 | | |
| | 16 | | |
| | 17 | CHAVETA | |
| | 18 | UNIDAD DE ENGRA | |

| Ref. | Título | Código |
|------|---------------------------|----------------------------|
| | | NAJES DE 1 CAMBIO DE |
| 19 | | |
| 20 | CHAVETA 26 | |
| 21 | | |
| 22 | UNIDAD CONJUNTO EJE | |
| 23 | | |