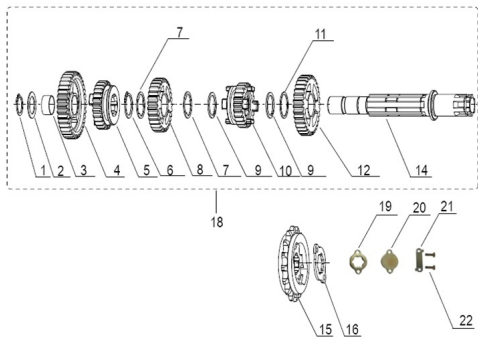


## EJE SECUNDARIO



Rating: Not Rated Yet

**Price:**

Variant price modifier:

Base price with tax:

Price with discount:

Salesprice with discount:

Sales price:

Sales price without tax:

Discount:

Tax amount:

[Ask a question about this product](#)

Description

| Ref. | Título                 | Código |
|------|------------------------|--------|
| 1    | SEGURO<br>SEEGER<br>20 |        |
| 2    |                        |        |
| 3    | BUJE                   |        |
| 4    | ENGR. CO<br>NDUCIDO    |        |

| <b>Ref.</b> | <b>Título</b>                          | <b>Código</b> |
|-------------|--|---------------|
|             | DE 1º<br>MARCHA                        |               |
| 5           |  |               |
| 6           | SEGURO<br>SEEGER                       |               |
| 7           |  |               |
| 8           | ENGR. CO<br>NDUCIDO<br>DE 3º<br>MARCHA |               |
| 9           | SEGURO<br>SEEGER                       |               |
| 10          | ENGR. CO<br>NDUCIDO<br>DE 5º<br>MARCHA |               |
| 11          |  |               |
| 12          | ENGR. CO<br>NDUCIDO<br>DE 2º<br>MARCHA |               |
| 14          | EJE SECU<br>NDARIO                     |               |
| 15          | PIÑON                                  |               |
| 16          |  |               |
| 18          | EJE SECU<br>NDARIO                     |               |
| 19          | TAPA DE<br>PIÑON                       |               |
| 20          | TAPA,<br>BOMBA DE<br>ACEITE            |               |
| 21          | JUNTA                                  |               |
| 22          | BULON<br>M6x16                         |               |

