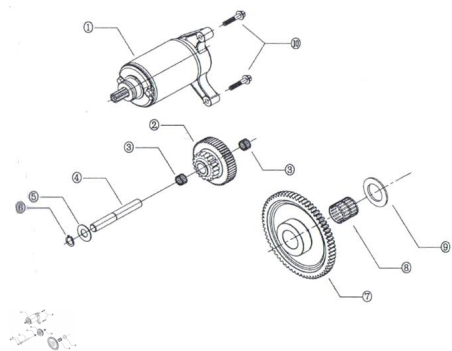


## EMBRAGUE DE ARRANQUE



Rating: Not Rated Yet

**Price:**

Variant price modifier:

Base price with tax:

Price with discount:

Salesprice with discount:

Sales price:

Sales price without tax:

Discount:

Tax amount:

[Ask a question about this product](#)

Description	Ref.	Título	Código
	1	ENS. DE EMBRAGUE DE	
	2		
	3	VAULA DE AGUJAS K121616	
	4	EJE DE ENGRANAJE DE RALENTI	
	5		

Ref.	Título	Código
6	ANILLO SEEGUER 12	
7		
8	JAUJA DE AGUJAS K252924	
9		
10	TORNILLO CON FLANGE CABEZA EXAG. M6 X 30	11-80105