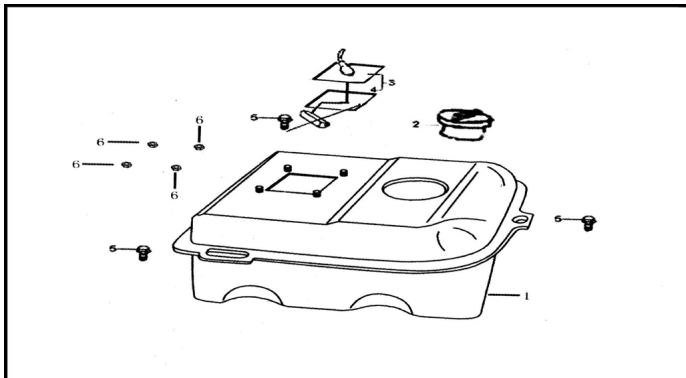


GRUPO ASIENTO



Rating: Not Rated Yet

Price:

Variant price modifier:

Base price with tax:

Price with discount:

Salesprice with discount:

Sales price:

Sales price without tax:

Discount:

Tax amount:

[Ask a question about this product](#)

Description

	Ref.	Título		Código
1		C. ASIENTO		10-44100
2		BISAGRA ASIENTO		10-44211
3		APOYO TRASERO Y SUJECCION ASIENTO		10-44212
4		TORNILLO M6 X 85		10-GB5783-86-3

