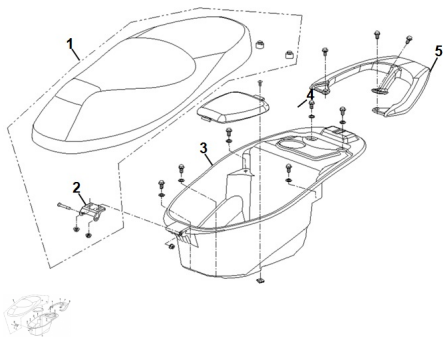


GRUPO ASIENTO



Rating: Not Rated Yet

Price:

Variant price modifier:

Base price with tax:

Price with discount:

Salesprice with discount:

Sales price:

Sales price without tax:

Discount:

Tax amount:

[Ask a question about this product](#)

Description

	Ref.	Título	Código
1		CONJUNTO ASIENTO	206-43100
2		BISAGRA ASIENTO	206-43101
3		BAULERA BAJO ASIENTO	206-42001
4		MANIJA DE ELEVACIÓN TRASERA	206-41420
5		TAPA INSPECCION BAULERA	206-42002