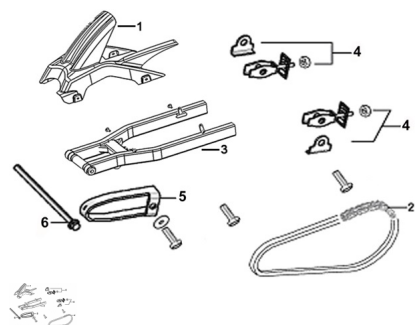


GRUPO BALANCIN TRASERO



Rating: Not Rated Yet

Price:

Variant price modifier:

Base price with tax:

Price with discount:

Salesprice with discount:

Sales price:

Sales price without tax:

Discount:

Tax amount:

[Ask a question about this product](#)

Description	Ref.	Título	Código
	1		201-63100
	2	CADENA	201-25200
	3	BALANCÍN	201-61100
	4	TENSOR CADENA	201-61400
	5	GUÍA CADENA	201-61200
	6	EJE BALANCÍN	