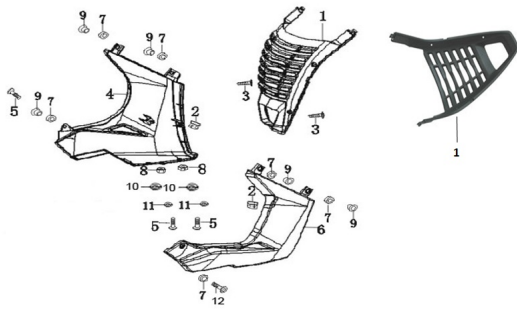


GRUPO CARENADO INFERIOR (RX 200 R, RX 200 RE)



Rating: Not Rated Yet

Price:

Variant price modifier:

Base price with tax:

Price with discount:

Salesprice with discount:

Sales price:

Sales price without tax:

Discount:

Tax amount:

[Ask a question about this product](#)

Description	Ref.	Título	Código
	1		177-34189
	4		177-34187
	4		
	4		
	4		

Ref.	Título	Código
	4	
	6	177-34188
	6	
	6	
	6	
	6	