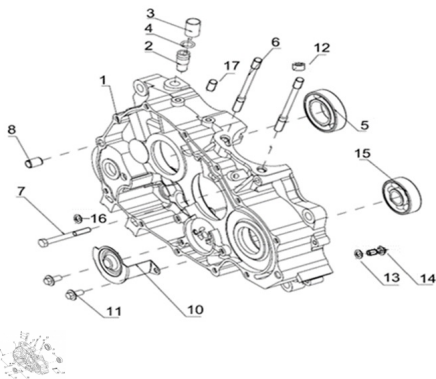


## GRUPO CARTER LADO DERECHO



Rating: Not Rated Yet

**Price:**

Variant price modifier:

Base price with tax:

Price with discount:

Salesprice with discount:

Sales price:

Sales price without tax:

Discount:

Tax amount:

[Ask a question about this product](#)

Description	Ref.	Título	Código
	1	CARTER LADO DERECHO	
	2	TUBO RES PIRADERO	
	3	TUBO RES PIRADERO	
	4		
	5		

Ref.	Título	Código
6		
7	TORNILLO	
8	PERNO	
10	PLACA, BOMBA DE ACEITE	
11	TORNILLO M6x14	
12		
13		
14	TORNILLO	
15		
16		158-30351J
17	TOPE	