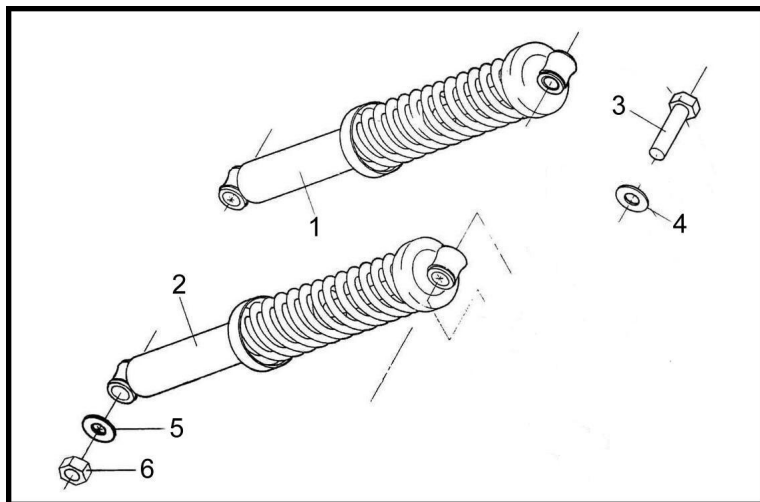


GRUPO CONJUNTO AMORTIGUADOR



Rating: Not Rated Yet

Price:

Variant price modifier:

Base price with tax:

Price with discount:

Salesprice with discount:

Sales price:

Sales price without tax:

Discount:

Tax amount:

[Ask a question about this product](#)

Description

Ref.	Título	Código
1	Amortiguador Mecánico	R221501000
2	Amortiguador Hidráulico	R221502000
3	TORNILLO CABEZA HEXAGONAL M10 X 40	R514010
4	ARANDELA PLANA Ø12	R100612
5	ARANDELA PLANA Ø 10	R100410
6	TUERCA HEXAGONAL M10	R600810

