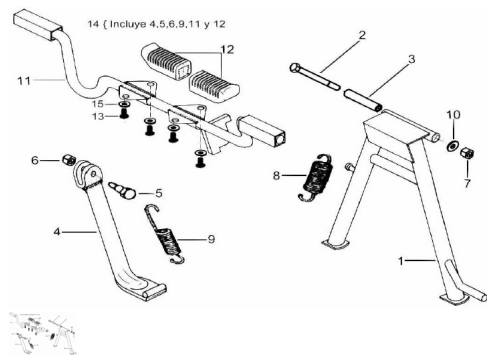


GRUPO ESTRUCTURA



Rating: Not Rated Yet

Price:

Variant price modifier:

Base price with tax:

Price with discount:

Salesprice with discount:

Sales price:

Sales price without tax:

Discount:

Tax amount:

[Ask a question about this product](#)

| Description | Ref. | Título | Código |
|-------------|------|--|-----------|
| | 1 | C. Caballote p/motores de 4 tiempos. | |
| | 2 | Tornillo sujeción caballote | |
| | 3 | Tubo giro caballote. | |
| | 4 | Sostén lateral | |
| | 5 | Tornillo sujeción sostén | 250120010 |

| Ref. | Título | Código |
|------|-----------------------------------|-----------|
| | | lateral. |
| 6 | Tuerca hexagonal M10 | 600810 |
| 7 | Tuerca hexagonal | 201000020 |
| 8 | Resorte caballete | |
| 9 | Resorte sostén lateral 4T. | |
| 10 | Arandela plana ø10 | 100410 |
| 11 | Conj. pedalín apoya pie. | |
| 12 | Pedalín apoyo pie. | |
| 13 | Tornillo cabeza hexagonal M8 x 20 | 512008 |
| 14 | Conj. pedalín apoya pie. | |
| 15 | Arandela plana ø8 | 100408 |