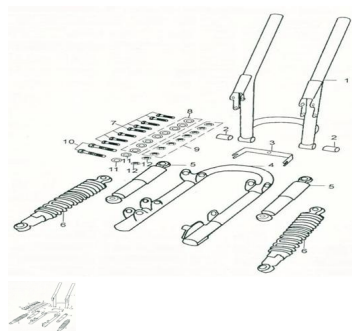


## GRUPO HORQUILLA DELANTERA



Rating: Not Rated Yet

**Price:**

Variant price modifier:

Base price with tax:

Price with discount:

Salesprice with discount:

Sales price:

Sales price without tax:

Discount:

Tax amount:

[Ask a question about this product](#)

Description	Ref.	Título	Código
	1		139-31370
	2	BUJE HORQUILLA DE LANTERA	139-31004
	3	SOPORTE	139-34021
	4		139-31289
	5	CONJ. AM	139-31358

Ref.	Título	Código	
	6	CONJ. DE ESPIRAL	139-31045