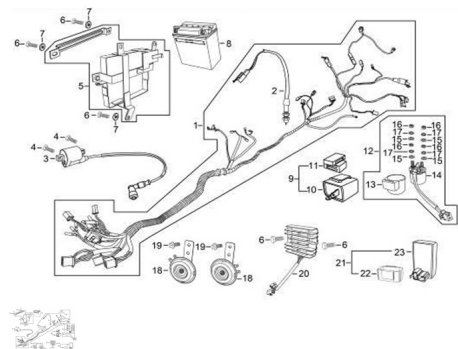


GRUPO INSTALACION ELECTRICA



Rating: Not Rated Yet

Price:

Variant price modifier:

Base price with tax:

Price with discount:

Salesprice with discount:

Sales price:

Sales price without tax:

Discount:

Tax amount:

[Ask a question about this product](#)

| Description | Ref. | Título | Código |
|-------------|------|-----------------------|----------|
| | 1 | | |
| | 2 | BULBO DE STOP TRASERO | 82-27176 |
| | 3 | BOBINA DE IGNICION | |
| | 4 | | |
| | 5 | CAJA BATERIA | |
| | 6 | TORNILLO | |

| Ref. | Título | Código | |
|------|-----------------------------|----------|--|
| | | M6X16 | |
| 7 | | | |
| 8 | BATERIA | | |
| 9 | | | |
| 10 | KIT DESTE LLADOR | 82-28018 | |
| 11 | | 82-28016 | |
| 12 | KIT RELAY DE | | |
| 13 | | 82-27084 | |
| 14 | RELAY DE | 82-27082 | |
| 15 | | 82-38045 | |
| 16 | TUERCA H | 82-38034 | |
| 17 | | 82-38046 | |
| 18 | BOCINA | | |
| 19 | TORNILLO BOCINA M6X12 | | |
| 20 | | | |
| 21 | KIT CDI | | |
| 22 | | 82-27103 | |

| Ref. | Título | Código | |
|------|--------|--------|----------|
| | 23 | CDI | 82-27101 |