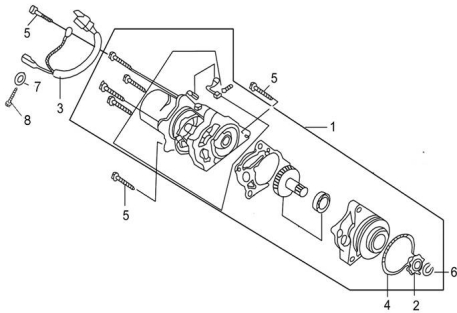


GRUPO MOTOR DE ARRANQUE



Rating: Not Rated Yet

Price:

Variant price modifier:

Base price with tax:

Price with discount:

Salesprice with discount:

Sales price:

Sales price without tax:

Discount:

Tax amount:

[Ask a question about this product](#)

Description

	Ref.	Título	Código
1		MOTOR DE ARRANQUE	10-34700/1P50FM
2		PIÑON DE ARRANQUE	10-34761/1P50FM
3		CABLEADO MOTOR DE ARRANQUE	10-34890/1P50FM
4		O-RING	10-34763/1P50FM

MOTOR : GRUPO MOTOR DE ARRANQUE

	Ref.	Título	Código
5		TORNILLO M6 X 50	10-GB/T5783-4
6		COLLAR 12	10-GB/T894.1
7		ARANDELA \varnothing 4	10-GB/T97.1
8		TORNILLO M4 X 6	10-GB/T818