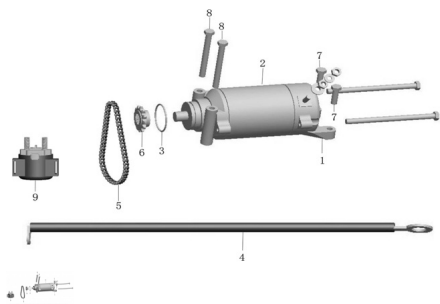


GRUPO MOTOR DE ARRANQUE



Rating: Not Rated Yet

Price:

Variant price modifier:

Base price with tax:

Price with discount:

Salesprice with discount:

Sales price:

Sales price without tax:

Discount:

Tax amount:

[Ask a question about this product](#)

Description	Ref.	Título	Código
	1	CABLE ESTATOR 1200MM	100-10100
	4	CABLE DE	100-10110
	5	CADENA	
	6	PIÑON MOTOR DE	
	7	TORNILLO M6X22	100-10001
	8	TORNILLO	

Ref.	Título	Código
		M6X65
9	BOBINA M AGNETICA	100-10200