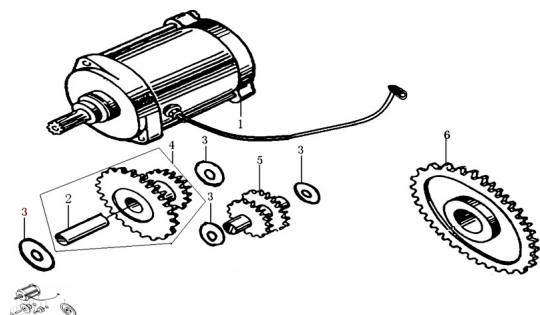


GRUPO MOTOR DE ARRANQUE



Rating: Not Rated Yet

Price:

Variant price modifier:

Base price with tax:

Price with discount:

Salesprice with discount:

Sales price:

Sales price without tax:

Discount:

Tax amount:

[Ask a question about this product](#)

Description

	Ref.	Título		Código
1		MOTOR DE ARRANQUE	161-82200	
2		RODAMIENTO AGUJA	161-21402	
3		ARANDELA 10,5 X 0,5 X 18	161-93326	
4		ENGRANAJE DOBLE N°1	161-2140A	
5		ENGRANAJE DOBLE N°2	161-21401	
6		ENGRANAJE EMBRAGUE DE ARRANQUE	161-2142A	

