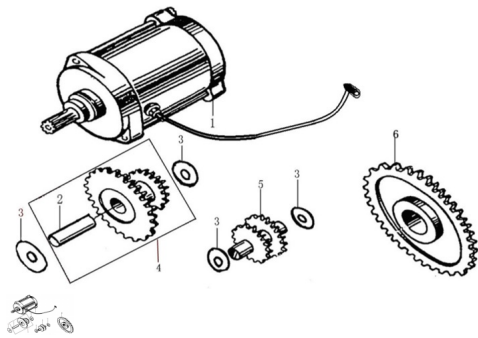


GRUPO MOTOR DE ARRANQUE



Rating: Not Rated Yet

Price:

Variant price modifier:

Base price with tax:

Price with discount:

Salesprice with discount:

Sales price:

Sales price without tax:

Discount:

Tax amount:

[Ask a question about this product](#)

Description

	Ref.	Título		Código
1		MOTOR DE ARRANQUE	160-82200	
2		PERNO DE ENGRANAJE DOBLE	160-21402	
3		ARANDELA 10.5x0.5x18	160-93315	
4		ENGRANAJE DOBLE DE ARRANQUE	160-2140A	
5		ENGRANAJE INTERMEDIO DOBLE DE ARRANQUE	160-21401	
6		ENGRANAJE DE ARRANQUE	160-2142A	

