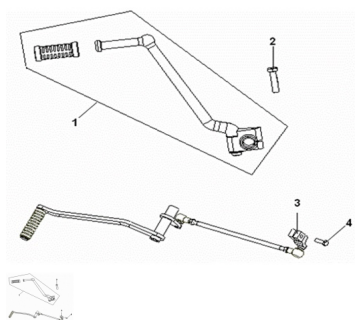


GRUPO PALANCA DE CAMBIOS Y ARRANQUE



Rating: Not Rated Yet

Price:

Variant price modifier:

Base price with tax:

Price with discount:

Salesprice with discount:

Sales price:

Sales price without tax:

Discount:

Tax amount:

[Ask a question about this product](#)

Description	Ref.	Título	Código
	1		158-08350J
	2	TORNILLO M8x40	
	3		158-08370J
	4	TORNILLO M6x20	

