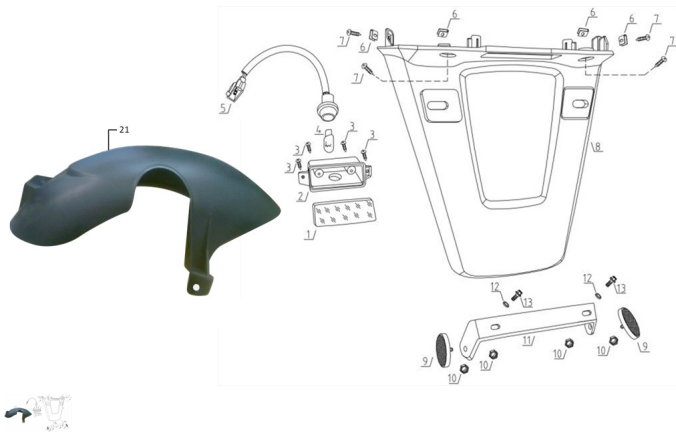


GRUPO PORTA PATENTE



Rating: Not Rated Yet

Price:

Variant price modifier:

Base price with tax:

Price with discount:

Salesprice with discount:

Sales price:

Sales price without tax:

Discount:

Tax amount:

[Ask a question about this product](#)

Description

Ref.

Título

Código

ESTRUCTURA : GRUPO PORTA PATENTE

8	GUARDABARRO TRASERO	137-10427-36
9	CATADIOPTICO TRASERO	137-10327-25
11	SOPORTE PATENTE	137-800110
20	PORTALAMPRA LUZ DE PATENTE	137-800105
21	GUARDABARRO INTERIOR TRASERO	137-10427-39

