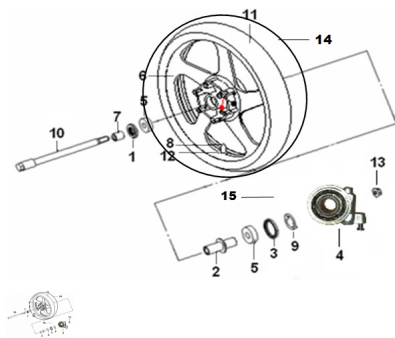


GRUPO RODADO DELANTERO



Rating: Not Rated Yet

Price:

Variant price modifier:

Base price with tax:

Price with discount:

Salesprice with discount:

Sales price:

Sales price without tax:

Discount:

Tax amount:

[Ask a question about this product](#)

| Description | Ref. | Título | Código |
|-------------|------|------------------------------|-----------|
| | 1 | RETÉN RUEDA DE LANTERA | 175-44300 |
| | 2 | | 175-44006 |
| | 3 | RETÉN REENVÍO | 175-43910 |
| | 4 | REENVIO | 175-44200 |
| | 5 | | 175-B1201 |
| | 6 | LLANTA RUEDA DE | 175-44101 |
| | 7 | BUJE | 175-44016 |

ESTRUCTURA : GRUPO RODADO DELANTERO

| Ref. | Título | Código |
|------|--|--------------------------------|
| | | DERECHO RUEDA DE LANTERA |
| 8 | TAPA DE VALVULA DE AIRE RUEDA DE LANTERA | 175-B1404 |
| 9 | SEGURO REENVIO | 175-44241 |
| 10 | EJE DELA NTERO M14X1.5 X 253 | 175-44004 |
| 11 | CUBIERTA 90/90-18 | 175-B1401 |
| 12 | VALVULA DE AIRE RUEDA DE LANTERA | 175-B1403 |
| 13 | TUERCA REENVÍO | 175-B0417 |
| 14 | | 175-800-10 |
| 15 | | 175-800-15 |