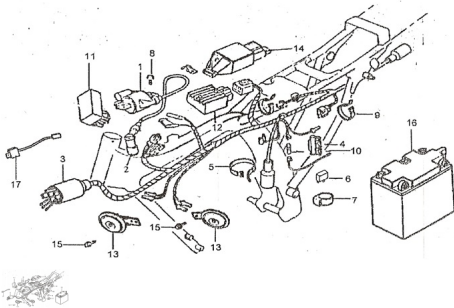


GRUPO SISTEMA ELECTRICO



Rating: Not Rated Yet

Price:

Variant price modifier:

Base price with tax:

Price with discount:

Salesprice with discount:

Sales price:

Sales price without tax:

Discount:

Tax amount:

[Ask a question about this product](#)

Description	Ref.	Título	Código
	1	BOBINA DE IGNICION	2-34500
	2		2-34510
	3		105-32100
	4	CAJA BATERIA	2-31720
	5	PRECINTO	2-46615
	6		2-38210
	7	CAJA RELAY	2-38291
	8	TORNILLO M5 X 20	

Ref.	Título	Código
10	FUSIBLE	2-31710
11	CDI	2-34400
12		2-31600
13	BOCINA	2-38100
14	CAJA REGULADOR DE VOLTAJE	2-31611
15	TORNILLO M6 X 12	
16	BATERÍA 12V,7AH	0-10065
17	DIODO	2-36520