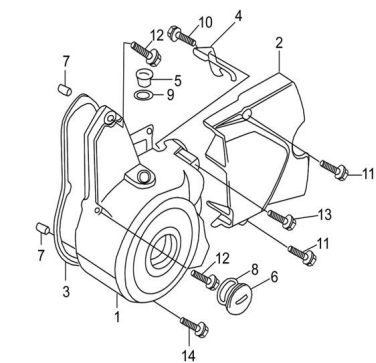


## GRUPO TAPA CARTER LADO VOLANTE



Rating: Not Rated Yet

**Price:**

Variant price modifier:

Base price with tax:

Price with discount:

Salesprice with discount:

Sales price:

Sales price without tax:

Discount:

Tax amount:

[Ask a question about this product](#)

Description

Ref.	Título	Código
1	TAPA CARTER LADO VOLANTE (GRIS)	10-11411/1P50FM
2	TAPA PIÑÓN DUE 3V	9-11451
3	JUNTA TAPA CARTER LADO VOLANTE	10-11419/1P50FM
4	ABRAZADERA ALAMBRE	10-31911/1P50FM
5	TAPON DE INSPECCIÓN	10-11412/1P50FM
6	TAPÓN VENTANA TAPA CARTER LADO VOLANTE	10-11413/1P50FM
7	PERNO GUÍA 8 X 12	10-11318/1P50FM
8	O-RING TAPON VENTANA 27 X 2,0	10-11415/1P50FM
9	O-RING TAPON INSPECCION 13,5 X 2,4	10-11414/1P50FM
10	TORNILLO M6 X 16	10-GB/T16674
11	TORNILLO M6 X 28	10-GB/T16674-2
12	TORNILLO M6 X 30	10-GB/T16674-3
13	TORNILLO M6 X 50	10-GB/T16674-4
14	TORNILLO M6 X 65	10-GB/T16674-5

