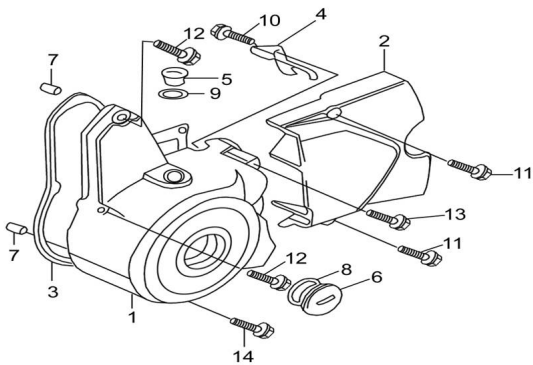


GRUPO TAPA CARTER LADO VOLANTE



Rating: Not Rated Yet

Price:

Variant price modifier:

Base price with tax:

Price with discount:

Salesprice with discount:

Sales price:

Sales price without tax:

Discount:

Tax amount:

[Ask a question about this product](#)

Description

	Ref.	Título	Código
1		TAPA CARTER LADO VOLANTE (GRIS)	10-11411/1P50FM
2		TAPA PIÑON (GRIS)	10-11451/1P50FM
3		JUNTA TAPA CARTER LADO VOLANTE	10-11419/1P50FM
4		ABRAZADERA ALAMBRE	10-31911/1P50FM

MOTOR : GRUPO TAPA CARTER LADO VOLANTE

Ref.	Título	Código
5	TAPON DE INSPECCION	10-11412/1P50FM
6	TAPÓN VENTANA TAPA CARTER LADO VOLANTE	10-11413/1P50FM
7	PERNO GUÍA 8 X 12	10-11318/1P50FM
8	O-RINGTAPON VENTANA 27 X 2	10-11415/1P50FM
9	O-RINGTAPON INSPECCION 13,5 X 2,4	10-11414/1P50FM
10	TORNILLO M6 X 16	10-GB/T16674
11	TORNILLO M6 X 28	10-GB/T16674-2
12	TORNILLO M6 X 30	10-GB/T16674-3
13	TORNILLO M6 X 50	10-GB/T16674-4
14	TORNILLO M6 X 65	10-GB/T16674-5

