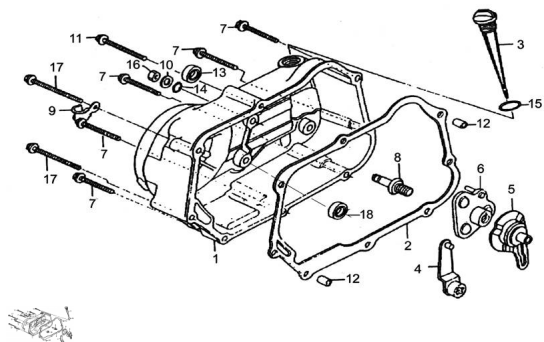


GRUPO TAPA SEMICARTER DERECHA



Rating: Not Rated Yet

Price:

Variant price modifier:

Base price with tax:

Price with discount:

Salesprice with discount:

Sales price:

Sales price without tax:

Discount:

Tax amount:

[Ask a question about this product](#)

Description

	Ref.	Título	Código
1		TAPA CARTER LADO EMBREGUE (GRIS)	10-11310/1P50FM
2		JUNTA TAPA CARTER LADO EMBRAGUE	250301310
3		VARILLA NIVEL DE ACEITE	250301315
4		LEVA DE EMBRAGUE	250301320
5		C. PLATO DE EMBRAGUE	250301325
6		REGULADOR EMBRAGUE	250301330
7		TORNILLO M6 X 40	514006
8		TORNILLO AJUSTABLE	250301335
9		ABRAZADERA ALAMBRE	250301340
10		ARANDELA 8	250301345
11		TORNILLO M6 X 65	516506
13		RETEN 13.8 X 24 X 5	250301355
14		O-RING 8 X 1.6	250301360
15		O-RING 18 X 3	250301365
16		TUERCA M8	600838
17		TORNILLO M6 X 80	518006
18		RODAMIENTO 101410	250301370

