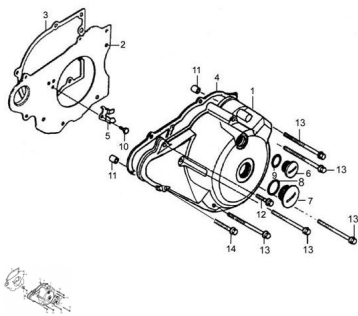


## GRUPO TAPA SEMICARTER IZQUIERDA



Rating: Not Rated Yet

**Price:**

Variant price modifier:

Base price with tax:

Price with discount:

Salesprice with discount:

Sales price:

Sales price without tax:

Discount:

Tax amount:

[Ask a question about this product](#)

Description	Ref.	Título	Código
	1	TAPA SEM ICARTER	41-11411
	2	CUERPO D	41-11460
	3	JUNTA CUERPO D	41-11462
	4	JUNTA TAPA SEM ICARTER	41-11419

Ref.	Título	Código
5		41-28171
6	TAPON GE NERADOR	41-11412
7	TAPON 30MM	41-11413
8	O-RING 27X2.5	41-11415
9	O-RING 13.5X2.5	41-11414
10	TORNILLO CABEZA DE HEXAG ONAL M6X8	
11	PERNO DE GUIA 8X16	41-11418
12	TORNILLO M6X65	
13	TORNILLO M6X50	