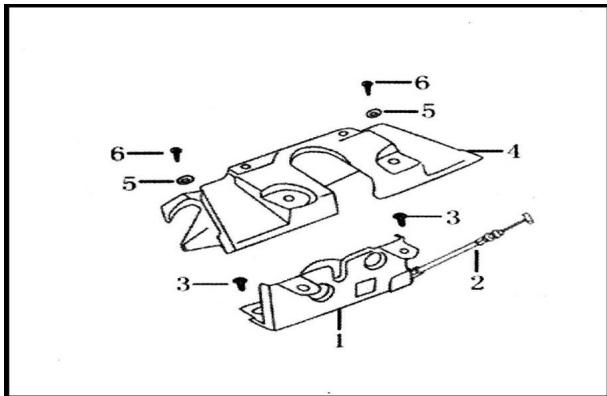


GRUPO TRABA ASIENTO



Rating: Not Rated Yet

Price:

Variant price modifier:

Base price with tax:

Price with discount:

Salesprice with discount:

Sales price:

Sales price without tax:

Discount:

Tax amount:

[Ask a question about this product](#)

Description

	Ref.	Título	Código
1		CERRADURA TRABA ASIENTO	10-48340
2		CABLE TRABA ASIENTO	10-48330
4		CUBRE CERRADURA	10-48344
6		TORNILLO ST4.2 X 16	10-GB845-85-4

