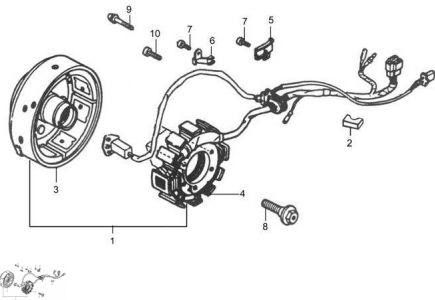


GRUPOVOLANTE MAGNETICO



Rating: Not Rated Yet

Price:

Variant price modifier:

Base price with tax:

Price with discount:

Salesprice with discount:

Sales price:

Sales price without tax:

Discount:

Tax amount:

[Ask a question about this product](#)

| Description | Ref. | Título | Código |
|-------------|------|-------------------|----------|
| | 1 | VOLANTE | 41-31100 |
| | 2 | | 41-31927 |
| | 3 | ROTOR | 41-31110 |
| | 4 | ESTATOR | 41-31210 |
| | 5 | | 41-31911 |
| | 6 | | 41-31912 |
| | 7 | TORNILLO M5X10 | |

| Ref. | Título | Código |
|------|----------------------|----------|
| 8 | TORNILLO M10X32.5 | 41-31913 |
| 9 | TORNILLO M5X28 | |
| 10 | TORNILLO M6X20 | |