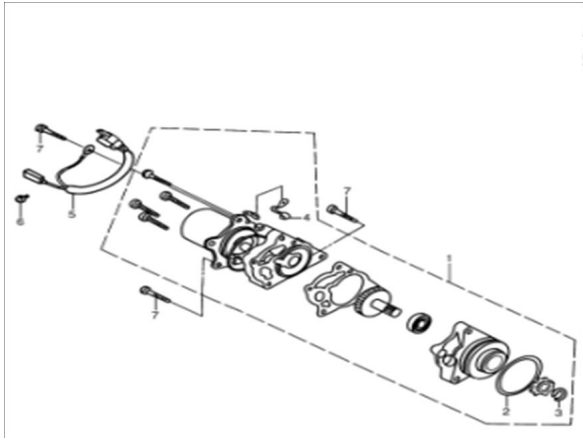


## MOTOR DE ARRANQUE



Rating: Not Rated Yet

**Price:**

Variant price modifier:

Base price with tax:

Price with discount:

Salesprice with discount:

Sales price:

Sales price without tax:

Discount:

Tax amount:

[Ask a question about this product](#)

Description

	Ref.	Título		Código
1		MOTOR DE ARRANQUE COMPLETO	5-31100H12000	
2		O-RING	5-09280H00025	

## MOTOR : MOTOR DE ARRANQUE

---

	Ref.	Título	Código
3		ABRAZADERA	5-08331-31129
4		BUJE	5-31132H12000
5		CHICOTE MOTOR DE ARRANQUE	5-31124H12000
6		TORNILLO	5-02112-34067