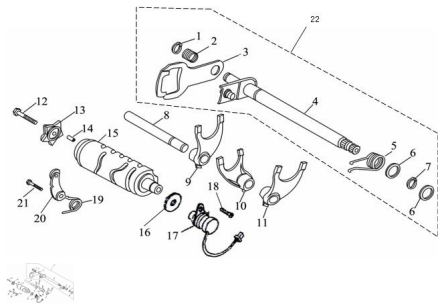


SELECTOR DE CAMBIOS



Rating: Not Rated Yet

Price:

Variant price modifier:

Base price with tax:

Price with discount:

Salesprice with discount:

Sales price:

Sales price without tax:

Discount:

Tax amount:

[Ask a question about this product](#)

| Description | Ref. | Título | Código |
|-------------|------|-------------------------|--------|
| | 1 | Anillo seeger 12 | |
| | 2 | Resorte | |
| | 3 | Placa de control | |
| | 4 | Eje de cambio de marcha | |
| | 5 | Tornillo de torsión | |
| | 6 | Arandela plana | |

| Ref. | Título | Código |
|------|-------------------------------------|----------|
| 7 | Anillo seeger 14 | |
| 8 | Arandela plana | |
| 9 | Anillo seeger 12 | |
| 10 | Resorte | |
| 11 | Placa de control | |
| 12 | Tornillo M6x25 | |
| 13 | Rueda estrella | |
| 14 | Espina | |
| 15 | Leva de cambio de marcha | |
| 16 | Sello de aceite 14x22x5 | |
| 17 | Emisor de señal de cambio de marcha | |
| 18 | Tornillo M6x10 | 20-80155 |
| 19 | Resorte de torsión | |
| 20 | Pedal de cambio de marcha | |
| 21 | Tornillo M6x20 | 20-80165 |
| 22 | C. Selectora de cambios | |