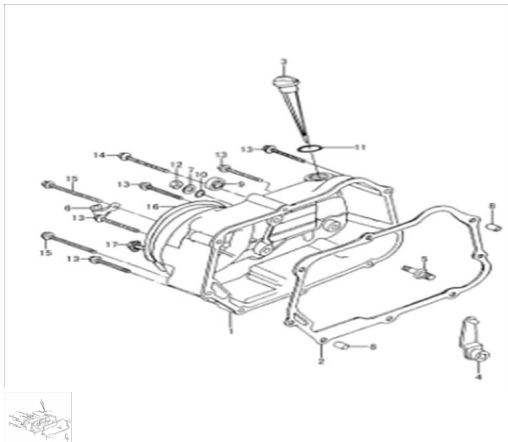


TAPA CARTER DERECHO



Rating: Not Rated Yet

Price:

Variant price modifier:

Base price with tax:

Price with discount:

Salesprice with discount:

Sales price:

Sales price without tax:

Discount:

Tax amount:

[Ask a question about this product](#)

Description

	Ref.	Título	Código
1		TAPA SEMICARTER DERECHA	5-11710H12000
2		JUNTA DE TAPA DE EMBRAGUE	5-11751H12000

MOTOR : TAPA CARTER DERECHO

	Ref.	Título	Código
3		VARILLA NIVEL DE ACEITE	5-11730H12010
4		CONJUNTO OPERADOR DE EMBRAGUE	5-21241H12000
5		PERNO 8X12	5-21258H12000
6		ABRAZADERA DE ALAMBRE SEMICARTER DERECHO	5-11675H12010
7		ARANDELA 8	5-00097-08006
8		PERNO 8X12	5-04211-08129-2
9		RETEN 13.8X24X5	5-09285-13010
10		ARANDELA 1.6X8	5-09280-08010
11		O-RING 3X18	5-09280-18010
12		TUERCA AJUSTABLE DE EMBRAGUE	5-06170-08006
13		TORNILLO TAPA DE EMBRAGUE	5-05787-06407
14		TORNILLO TAPA EMBRAGUE 6X65	5-05787-06657-2
15		TORNILLO TAPA EMBRAGUE 6X80	5-05787-06807
16		TAPA CUBRE EMBRAGUE	5-11720H12000-5
17		PERNO DE TAPA DE EMBRAGUE 6X12	5-05787-06127

