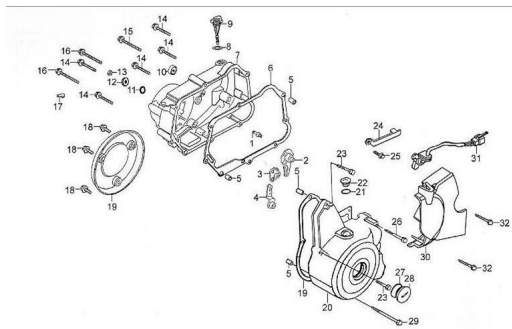


## TAPA CARTER



Rating: Not Rated Yet

**Price:**

Variant price modifier:

Base price with tax:

Price with discount:

Salesprice with discount:

Sales price:

Sales price without tax:

Discount:

Tax amount:

[Ask a question about this product](#)

Description

Ref.	Título	Código
1	TORNILLO DE AJUSTE, EMBRAGUE M8	89-91112-G011
2	COMPONENTES PLATO DE LEVAS	89-2245A-G011
3	BALANCÍN EMBRAGUE COMP.	89-22440-G011
4	LEVA DE EMBRAGUE	89-2245A-G011

## MOTOR : TAPA CARTER

---

	Ref.	Título	Código
5		PASADOR GUÍA 8X12X6.3	89-91501-D002
6		JUNTA, TAPA DERECHA CARTER	89-90206-HZ31
7		TAPA CARTER DERECHA	89-12421-G011
8		O-RING 18X3X3.5	89-90106-D002
9		VARILLA MEDIDOR DE ACEITE	89-14301-G011
10		RETEN 13.7X24X5	89-90304-D002
11		O-RING 8X1.8	89-90122-G011
12		ARANDELA 8	89-B000950008
13		TUERCA M8	89-B617000800
14		TORNILLO M6X40	89-B166740006-4
15		TORNILLO M6X80	89-B166740006-5
16		TORNILLO M6X65	89-GB16674000
17		BRIDA, ALTO VOLTAJE	89-11003-D002
18		TORNILLO M6X12	89-B008230006
19		TAPA DECORATIVA MOTOR LADO EMBRAGUE	89-90204-G011
20		TAPA CARTER IZQUIERDA (VOLANTE)	89-12301-G011
21		O-RING 13.8X2.65	89-90102-G011
22		TAPA (CUBRE PIÑÓN)	89-12303-G011
23		TORNILLO M6X32	89-B166740006-6
24		CAMBIO DE VELOCIDADES, PLATO INTERRUPTOR	89-88002-G011
25		TORNILLO M6X12	89-B166740006-7
26		TORNILLO M6X25	89-B166740006-8
27		O-RING 27.4X2.4	89-90107-G011
28		TAPÓN DEL CARTER LADO EMBRAGUE	89-12304-G011
29		TORNILLO M6X70	89-B166740006-9
30		TAPA PIÑÓN	89-12302-G031
31		CABLE INTERRUPTOR CAMBIO DE VELOCIDADES	89-8803B-G011
32		TORNILLO M6X25	89-B166740006-0

