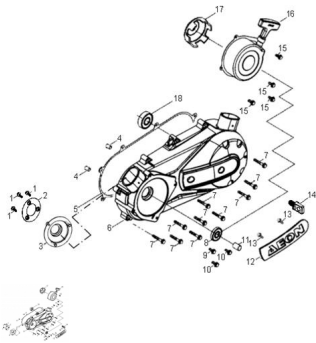


## TAPA CARTER IZQUIERDA (GF 300)



Rating: Not Rated Yet

**Price:**

Variant price modifier:

Base price with tax:

Price with discount:

Salesprice with discount:

Sales price:

Sales price without tax:

Discount:

Tax amount:

[Ask a question about this product](#)

Description	Ref.	Título	Código
	1	TORNILLO	62-91003
	2	GUIA DE AIRE, VARIADOR	62-11339
	3		63-11355
	4	PERNO GUIA	62-94301
	5	JUNTA TAPA CARTER LADO EMB RAGUE	63-11359
	6	TAPA	62-11341

**MOTOR : TAPA CARTER IZQUIERDA (GF 300)**

---

Ref.	Título	Código
		CARTER LADO EMB RAGUE
7	TORNILLO M6 X 16 X 1,0	63-96000
8		63-96100
9	TORNILLO M6 X 16 X 1,0	63-96000
10	TORNILLO M6 X 16 X 1,0	63-96000
11	BUJE	63-22106
12		63-11347
13	TORNILLO M6 X 16 X 1,0	63-96000
14	TAPON DRENAJE	63-11353
15	TORNILLO M6 X 16 X 1,0	63-96000
16		62-11350
17	TAPA TRASERA	62-22107
18		63-96100