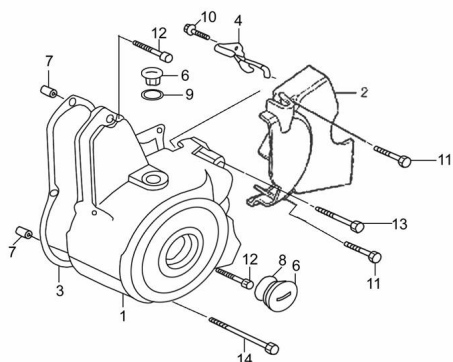


TAPA SEMICARTER IZQUIERDO



Rating: Not Rated Yet

Price:

Variant price modifier:

Base price with tax:

Price with discount:

Salesprice with discount:

Sales price:

Sales price without tax:

Discount:

Tax amount:

[Ask a question about this product](#)

Description

	Ref.	Título	Código
1		TAPA CARTER LADO VOLANTE (CROMADA)	3-11411/1P50FM
2		TAPA PIÑON (CROMADA)	3-11451/1P50FM
3		JUNTA TAPA CARTER LADO VOLANTE	10-11419/1P50FM
4		ABRAZADERA ALAMBRE	10-31911/1P50FM
5		TAPON DE INSPECCION	10-11412/1P50FM
6		TAPÓN VENTANA TAPA CARTER LADO VOLANTE	10-11413/1P50FM
7		PERNO GUÍA 8 X 12	10-11318/1P50FM
8		O-RINGTAPON VENTANA 27 X 2	10-11415/1P50FM
9		O-RINGTAPON INSPECCION 13,5 X 2,4	10-11414/1P50FM
10		TORNILLO M6 X 16	10-GB/T16674
11		TORNILLO M6 X 28	10-GB/T16674-2
12		TORNILLO M6 X 30	10-GB/T16674-3
13		TORNILLO M6 X 50	10-GB/T16674-4

MOTOR : TAPA SEMICARTER IZQUIERDO

	Ref.	Titulo	Código
14		TORNILLO M6 X 65	10-GB/T16674-5

